

TruRyde®

Powered by **DEEMAXX**

9-16K Dual Wheel Disc

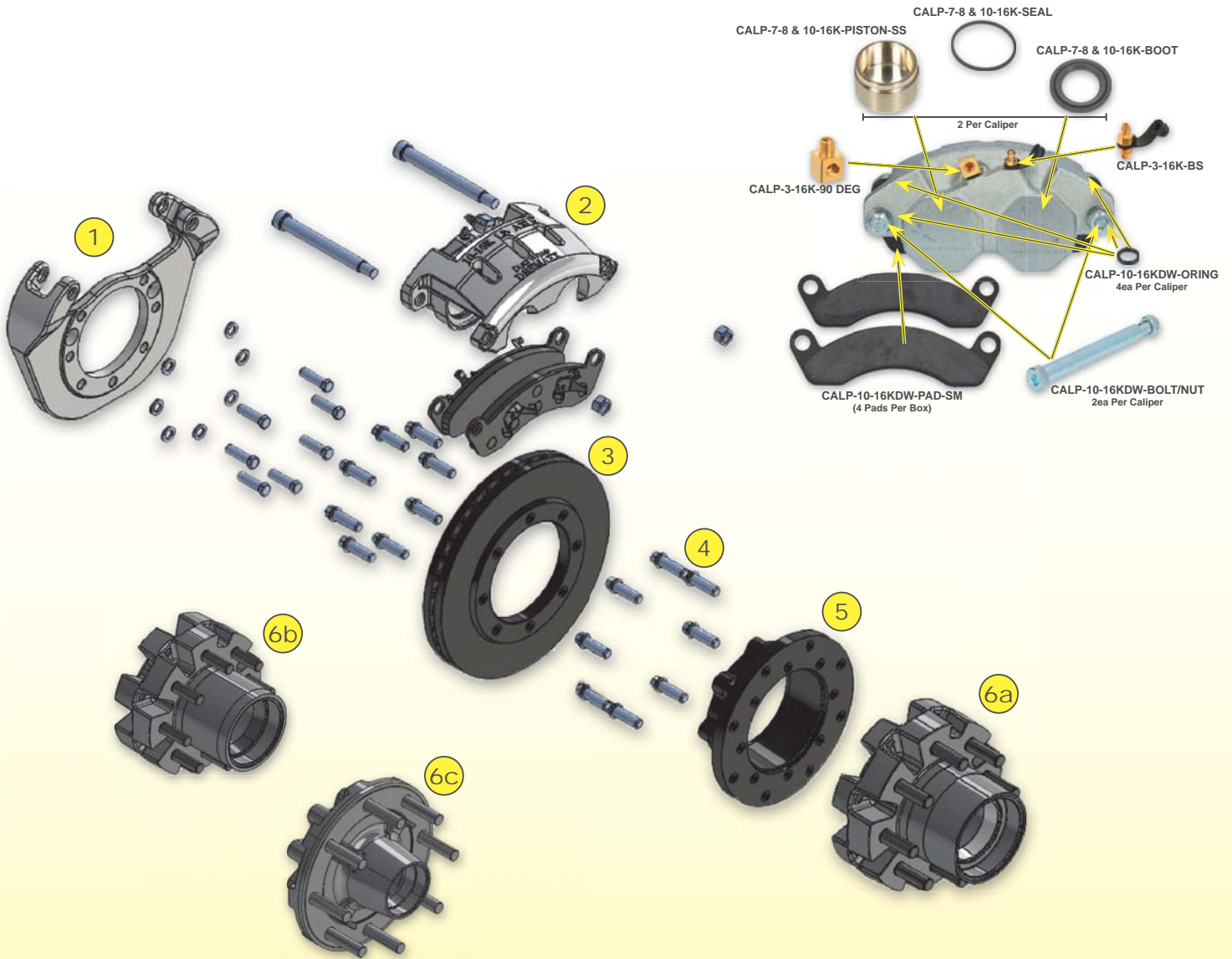
- Extreme braking performance with 50% shorter stopping distance, when compared to drum brakes
- Fits 16" dual wheel or larger
- Passed independent brake test
- #1 trailer disc brake of the U.S. Military
- Rigid ductile iron caliper eliminates flexing
- Vent slots in rotor to dissipate heat
- All parts are non-handed (L or R)
- Laser writing on caliper for bleeding instructions and torque specification



AXLE CAPACITY STUD/CENTER	9K 8 ON 6.5"	10K 8 ON 6.5"	12K 8 ON 6.5"	15K 8 ON 275mm	16K 8 ON 275mm
DEXTER HUB	008-288-03	008-288-03	008-214-10	008-401-05	N/A
LIPPERT HUB	N/A	183168	301691	N/A	352777
INNER BEARING	387A	387A	3984	3984	3984
OUTER BEARING	25580	25580	28682	28682	28682



9-16K Dual Wheel Disc



ITEM#	PART #	DESCRIPTION	WEIGHT (LBS.)
1	DBB-10-16KDL-DW-ZINC	Disc Brake Bracket for 7 hole brake flange 10-16k DEXTER/LIPPERT Dual Wheel Axle fits 11" Rotor ZINC COATING	9.70
2	CALP-10-16KDW-ZINC	Disc Brake Caliper for 10-16k Axle Dual Wheel 2 - Piston ZINC PLATED with Green Semi-Metallic Brake Pads	18.05
3	RTR-11-10-16KDL-DW-E	11" Bolt on Rotor for DEXTER/LIPPERT with 8 - 1" and 8 - .530" holes E COATING fits HUB-9-16K	15.85
4	RTR-10-16K-BOLT	Bolt, 1/2-13 x 1.5", 6pt Hex w/ Flange Grade 8 Yellow Zinc Plated 3M2352 w/ Blue Loctite. Torque Bolt to Rotor at 80ft lb	0.10
5	HUB-11-10-16KDL-DW-SPCR-E	Spacer for 11" Bolt on Rotor for DEXTER/LIPPERT with 8 - 1/2"-13UNC-2B and 8 - .530" holes E COATING fits HUB-9-16K	11.33
6A	RVI-10K-865-580	8 ON 6.5" 10K DEXTER/LIPPERT OIL HUB 4.75" Pilot , 25520 (Outer) and 382A (Inner) Bearing races and (YELLOW) 5/8"-18 Wheel Studs DX# 008-288-03 9-10K GD Use 387A (Inner) and 25580 (Outer) Bearing.	27.06
6B	RVI-12K-865-580	8 ON 6.5" 5/8" Wheel Studs 12K DEXTER/LIPPERT OIL HUB, Inner Bearing 3984 Cup/Race 3920 and Outer Bearing 28682 Cup/Race 28622 DX# 008-214-10	32.84
6C	RVI-16K-8275-M22	8 ON 275MM M22 WHEEL STUDS 16K DEXTER/LIPPERT OIL HUB, Inner Bearing 3984 Cup/Race 3920 and Outer Bearing 28682 Cup/Race 28622 DX# 008-401-05	74.40

TRP Corporate Office • 22420 Challenger Drive • Elkhart, IN • 46514 • Ph 574.389.9941 • Dallas Ph 972.279.9863

www.trpintl.com
TRP@Trpintl.com