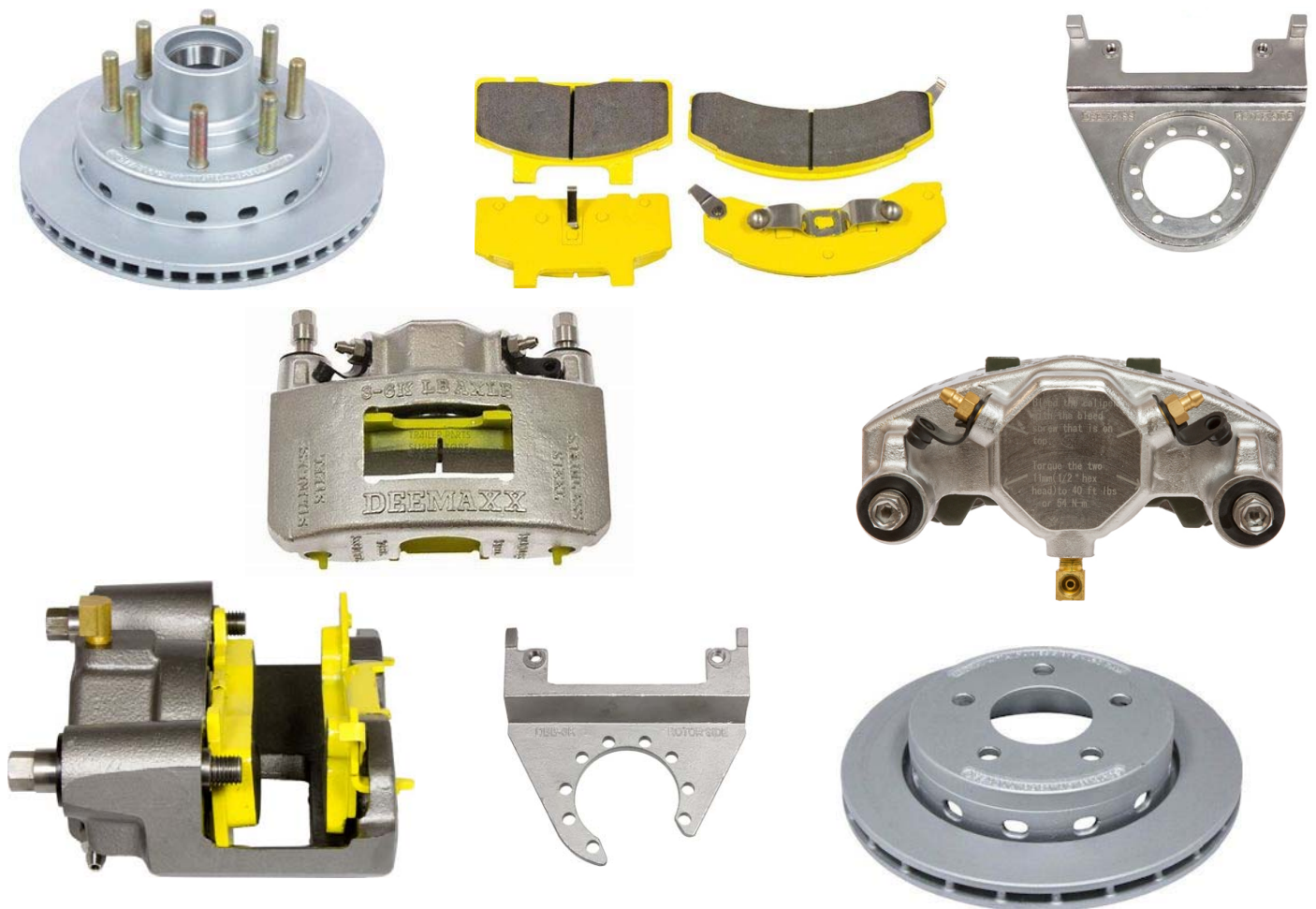


TruRyde®

Powered by **DEEMAXX**

Disc Brakes



SUPPLYING THE WORLD.



To learn more about our complete line of axle and suspension components

Visit us at www.TrpIntl.com

Or call

972.279.9863 Dallas

574.389.9941 Elkhart

3.5K

5 lug 1/2" studs

Rotor:

Integrated or Slip Over

Finish:

MAXX or GOLD

Integrated Kit Includes (2) DEEMAXX 10" Integral 5-Lug Vented Rotors, (2) Calipers, (2) Mounting Brackets and (4) Caliper Pads.

Slip Over Kit Includes (2) DEEMAXX 10" 5-Lug Vented Rotors, (2) Calipers, (2) Mounting Brackets and (4) Caliper Pads.

One kit required per axle.



DBI-3.5K-MAXX



DBSO-3.5K-MAXX

6K

6 lug 1/2" studs

Rotor:

Integrated or Slip Over

Finish:

MAXX or GOLD

Integrated Kit Includes (2) DEEMAXX 12" Integral 6-Lug Vented Rotors, (2) Calipers, (2) Mounting Brackets and (4) Caliper Pads

Slip Over Kit Includes (2) DEEMAXX 12" 6-Lug Vented Rotors, (2) Calipers, (2) Mounting Brackets and (4) Caliper Pads.

One kit required per axle.



DBI-6K-MAXX



DBSO-6K-MAXX

7K

8 lug 1/2" studs

Rotor:

Integrated or Slip Over

Finish:

MAXX or GOLD

Integrated Kit Includes (2) DEEMAXX 13.1" Integral 8 Lug Vented Rotors, (2) Calipers, (2) Mounting Brackets and (4) Caliper Pads.

Slip Over Kit Includes (2) DEEMAXX 13.1" 8 Lug Vented Rotors, (2) Calipers, (2) Mounting Brackets and (4) Caliper Pads.

One kit required per axle.



DBI-7K-MAXX



DBSO-7K-MAXX

8K:

8 Lug

Rotor:

Integrated -9/16" studs

Integrated -5/8" studs

Slip Over

Finish:

MAXX or GOLD

Integrated Kit Includes

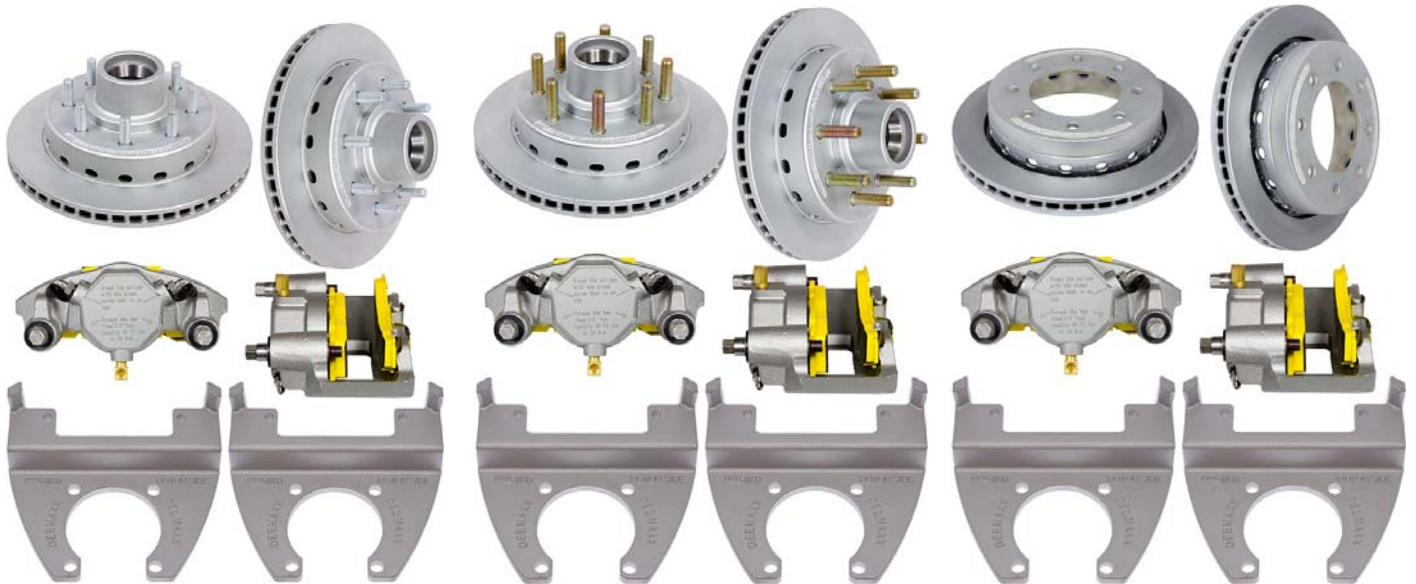
- (2) DEEMAXX 13.1" Integral 8-Lug Vented Rotors
- (2) Calipers
- (2) Mounting Brackets
- (4) Caliper Pads

One kit required per axle.

Slip Over Kit Includes

- (2) DEEMAXX 13.1" 8-Lug Vented Rotors
- (2) Calipers
- (2) Mounting Brackets
- (4) Caliper Pads

One kit required per axle.



DBI-8KD9-MAXX

DBI-8KD10-MAXX

DBSO-8KDD-MAXX

****Also Available****

10K—12K Single Wheel and 10K—16K Dual Wheel

Contact your TRP representative

Exclusive Advantages -

- *Exclusive reverse mount slip over rotor means cooler running, better plating, and no more premature corrosion!
- *Unique rotor cross section design actively draws cooling air from the rotor interior!
- *Exclusive 120° bleeder design means better bleeding, balanced system, and no more damaged bleeders!
- *Exclusive laser writing on caliper means instructions are always there!
- *Every caliper is tested to 2000psi!
- *Robust ductile iron casting eliminates flexing resulting in more brake torque!
- *Exclusive bolt design means no more mishandling or incorrect shipping of bolts!
- *Compatible with every surge and electric over hydraulic actuators!
- *Ceramic brake pads are slotted, chamfered, and feature a stainless steel clip!
- *Unique bracket design provides twice as many mounting options for caliper position!
- *Produced in ISO QUALITY certified factories!
- *PASSED THE SAE J2681 BRAKE TEST!

Replacement Parts By Kit

DBI-3.5K-MAXX

RTR/HUB-102-MAXX
CALP-3-6K-MAXX
DBB-3.5KI-MAXX
CALP-3-6K-BRAKE PAD

DBSO-3.5K-MAXX

RTR-109-MAXX
CALP-3-6K-MAXX
DBB-3.5K-MAXX
CALP-3-6K-BRAKE PAD

DBI-6K-MAXX

RTR/HUB-120-MAXX
CALP-3-6K-MAXX
DBB-6K-MAXX
CALP-3-6K-BRAKE PAD

DBSO-6K-MAXX

RTR-120-MAXX
CALP-3-6K-MAXX
DBB-6K-MAXX
CALP-3-6K-BRAKE PAD

DBI-7K-MAXX

RTR/HUB-131-7K-MAXX
CALP-7-8K-MAXX
DBB-7K-MAXX
CALP-7-8K-BRAKE PAD

DBSO-7K-MAXX

RTR-131-7K-MAXX
CALP-7-8K-MAXX
DBB-7K-MAXX
CALP-7-8K-BRAKE PAD

DBI-8KD9-MAXX (9/16)

RTR/HUB-131-8K-.56-MAXX
CALP-7-8K-MAXX
DBB-8KD-MAXX
CALP-7-8K-BRAKE PAD

DBI-8KD10-MAXX (5/8)

RTR/HUB-131-8K-.62-MAXX
CALP-7-8K-MAXX
DBB-8KD-MAXX
CALP-7-8K-BRAKE PAD

DBSO-8KDD-MAXX

RTR-131-8K-MAXX
CALP-7-8K-MAXX
DBB-8KDD-MAXX
CALP-7-8K-BRAKE PAD

****Optional Yellow Zinc Plated GOLD finish is available by replacing "MAXX" with "GOLD" on the kit part number and caliper part number**

High Performance Brake Lines PASSED STORK SAEJ1401, FMVSS106

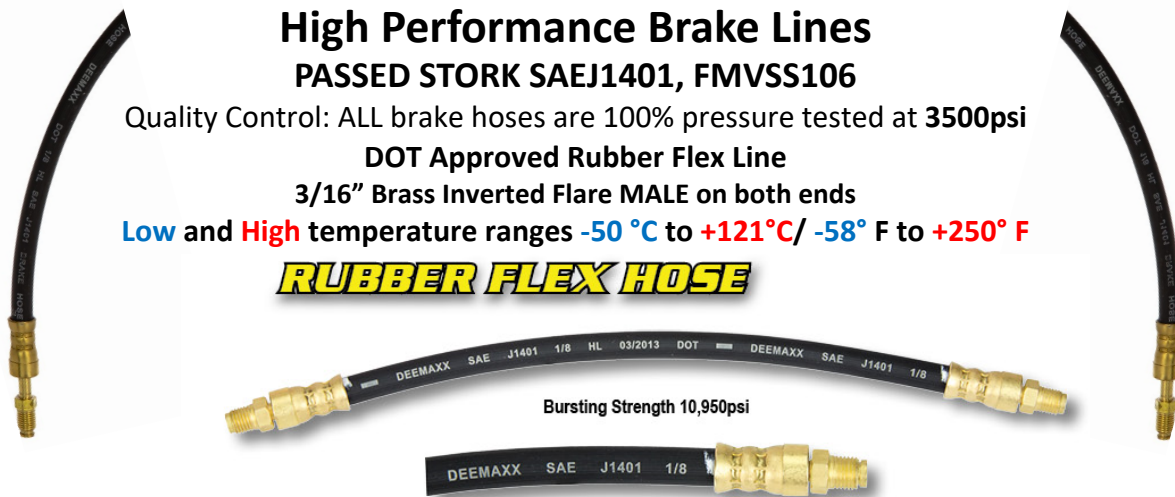
Quality Control: ALL brake hoses are 100% pressure tested at **3500psi**

DOT Approved Rubber Flex Line

3/16" Brass Inverted Flare MALE on both ends

Low and High temperature ranges -50 °C to +121°C / -58° F to +250° F

RUBBER FLEX HOSE



Bursting Strength 10,950psi

DOT-RFL-12"	DOT-RFL-24"	DOT-RFL-54"	DOT-RFL-78"	DOT-RFL-228"	DOT-RFL-260"
DOT-RFL-16"	DOT-RFL-36"	DOT-RFL-60"	DOT-RFL-96"	DOT-RFL-240"	DOT-RFL-280"
DOT-RFL-18"	DOT-RFL-38"	DOT-RFL-72"	DOT-RFL-220"	DOT-RFL-252"	DOT-RFL-312"

Custom sizes and stainless steel available.

Contact Us Today...

TRP International (Elkhart)
22420 Challenger Drive
Elkhart, IN. 46514
574.389.9941



www.trpintl.com

TRP International (Dallas)
324 S. Town East Blvd.
Mesquite, TX. 75149
972.279.9863