

Axle and Suspension Components

- TruRyde Electric and Hydraulic Drum Brakes
- TruRyde Idler Hubs and Brake Drums
- Tapered Roller Bearings
- Grease Seals and Oil Seals
- Spindle Fasteners and Accessories
- Dust Caps and Die-Cast Aluminum Oil Caps
- Double Eye & Slipper Multi Leaf Springs
- Cast and Fabricated Equalizers
- Hangers, Tie Plates, Shackle Links, Spring Seats and U-bolts
- Butt Weld Straight & Drop
- Spindles, Boat Trailer Drop, Round & Square Bar Stock
- Mobile Home Axle Products
- Bushings and Suspension Fasteners



Medium Duty Components 8-16K

- Electric Brakes Hydraulic Brakes
- Idler Hubs Brake Drums
- Hub/Drum Assemblies

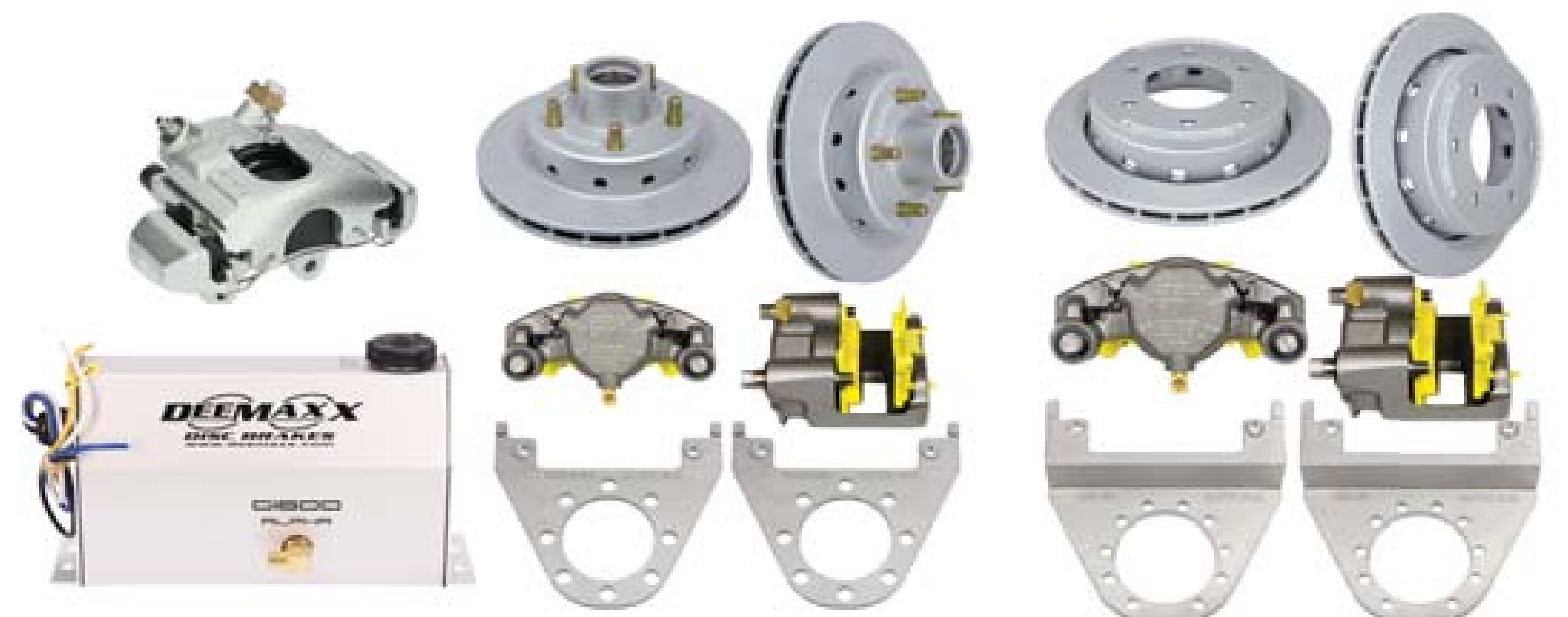
Leaf Spring Manufacturing (EMCO)

- Double Eye & Slipper Multi Leaf and Single Leaf Parabolic Heavy Duty 3 Leaf Tapers
- Specialty Springs
- AG Rotary Cutter Blades
- Powder Coat Capability
- Domestic and Off-Shore Manufacturing Locations
- Quality Lab



TruRyde & DeeMaxx Disc Brakes

- DeeMaxx 3.5-8k, 10-12k Single Wheel, 12-16k Dual Wheel
- TruRyde Value Line 3.5k and 6k
- Integrated or Slip-Over Vented Rotors
- High Performance DOT Approved Brake Lines
- Drum and Disc
- Electric/Hydraulic Actuators



Agricultural Components

- Idler Hubs and Brake Drums
- Hydraulic Brakes
- Tapered Roller Bearings
- Grease Seals
- Hot Rolled & Cold Drawn Spindles
- Fasteners & Accessories
- Dust Caps



Frame Components

- Trailer Frame Jacks
- Cast-Head and Stamped Couplers
- Gooseneck Couplers & Winches
- Trailer Jack Accessories & Parts
- Surge Actuators

Production Machining

- Machined to Print Capabilities
- Weld and Assembly Operations
- CNC Horizontal Lathes With Live Tooling
- Vertical and Horizontal Mills 3 & 4 Axis
- Production Machining
- Quality Lab



Packaged Parts

- Bearing, Dust Cap, and Grease Seal Kits
- Tie Plate and U-bolt Kits
- Shackle Bolt and Shackle Link Kits Lug Nut and Wheel Stud Kits Bushing Kits
- Idler Hub and Brake Drum Kits Boxed Brake Assemblies

